

LG

Part No. LG-IRM2B238KSF3

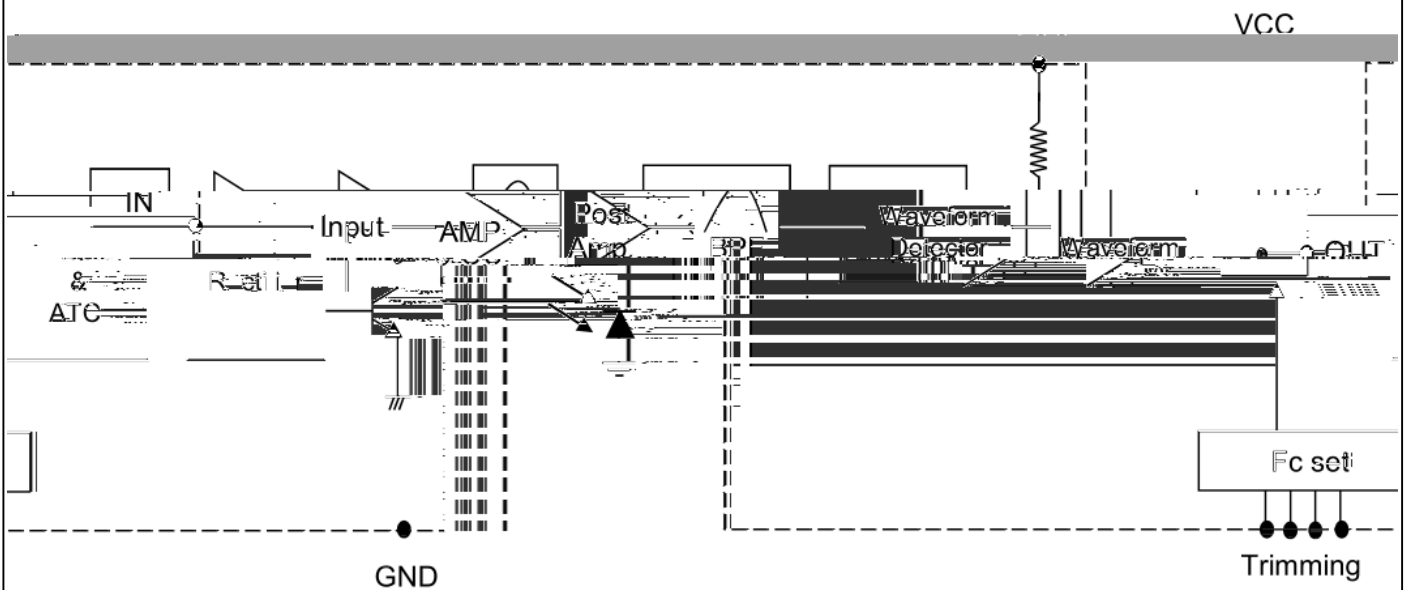
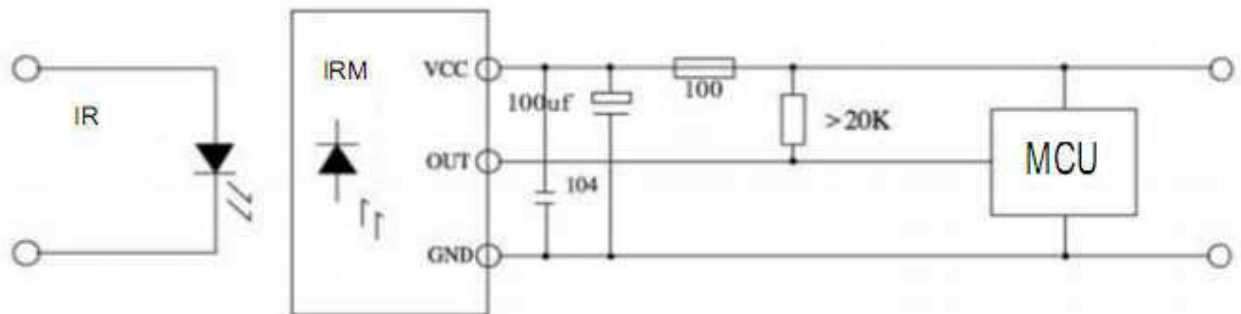
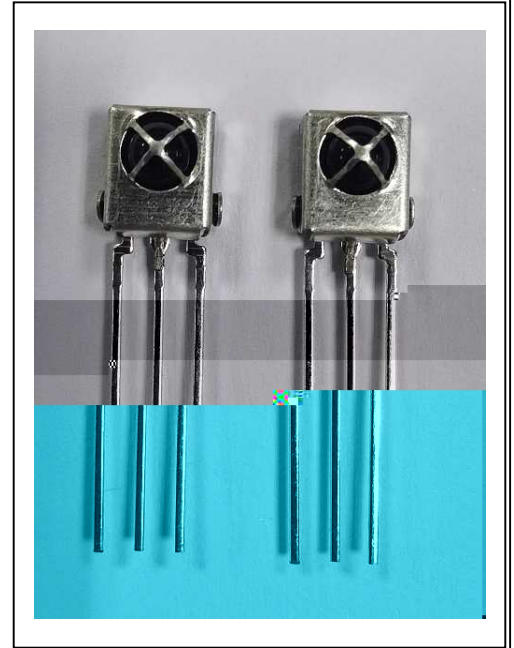
1.

2.

3.

4.

5.

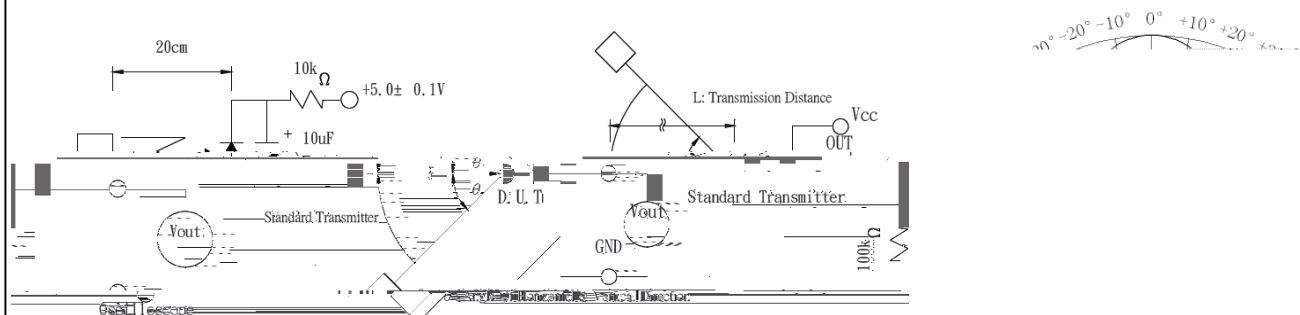


6. (T=25 , Vcc=3.0V, f₀=37.9kHz)

	R _{pul}	---	---	50	---	k
			400	600	800	μS

7.

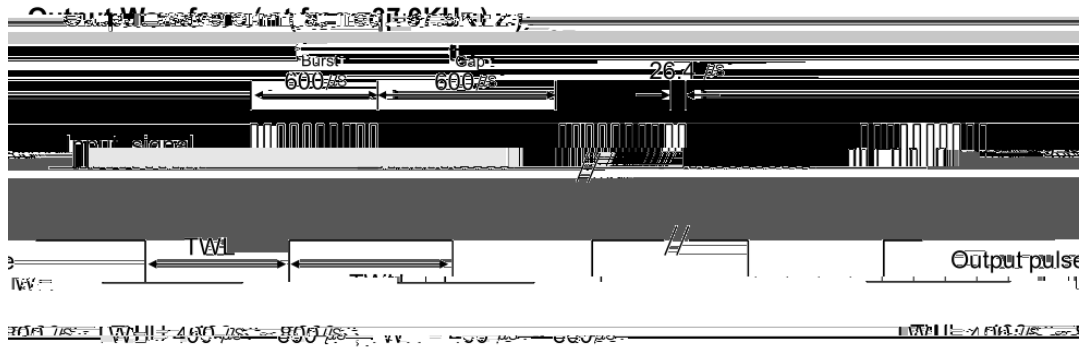
8.



9.

10.

11.



Recommended for optimal function.

* $t_{pi} \geq 10/f_0$ is recommended

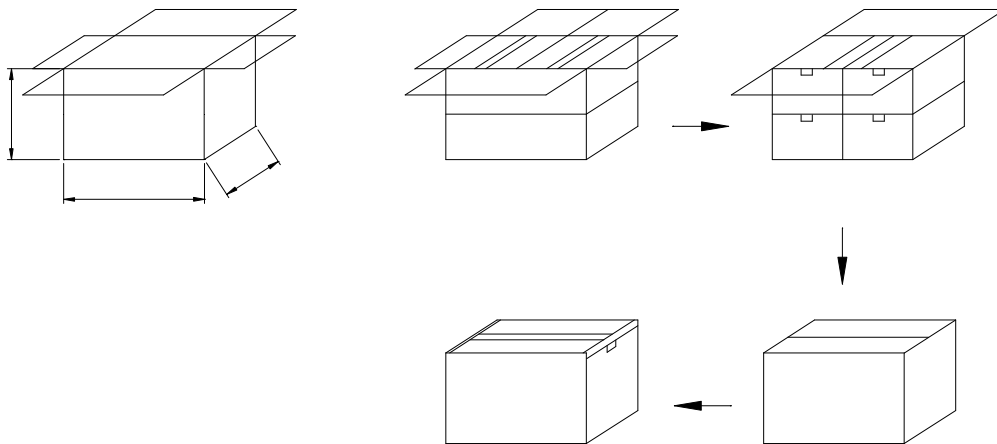
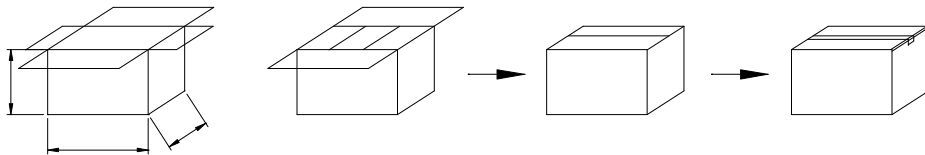
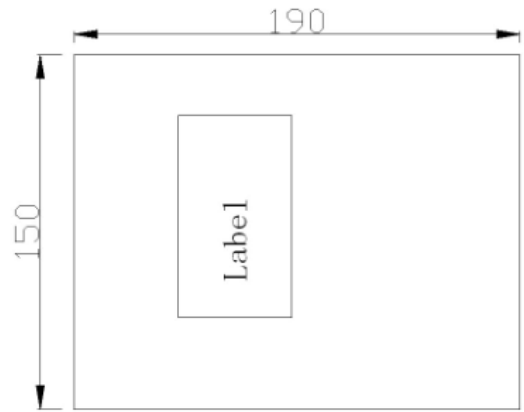
12.



13.

	1.5k			

16.



(pcs /)	(/)	(/)
500	10	4