

LG-IRM2A638KEF3 Infrared Receiver Module DATA SHEET

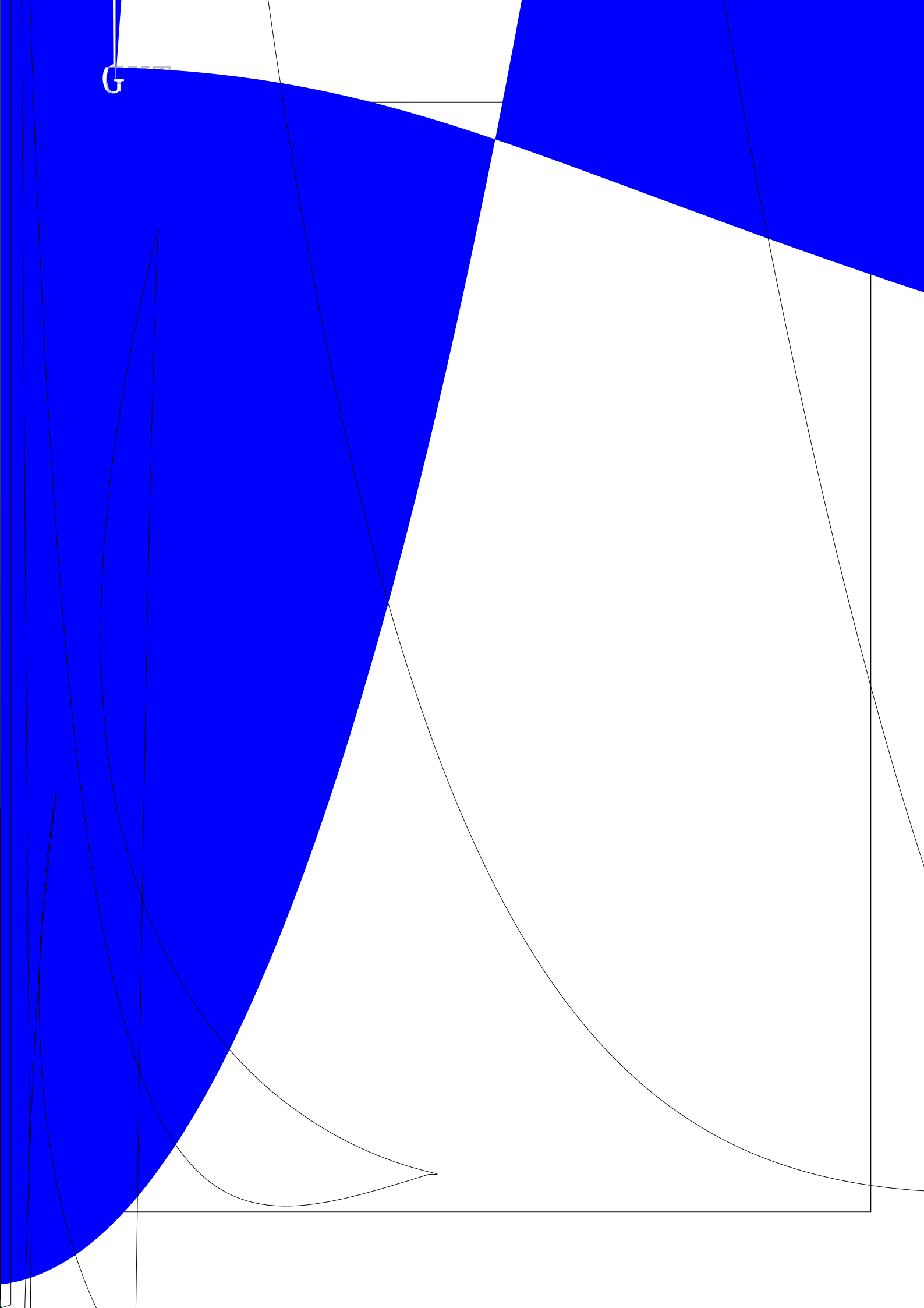
SPEC.NO. : SZ19070801
DATE : 2017/07/08
REV. : A/0

Approved By:

Checked By:

Prepared By:

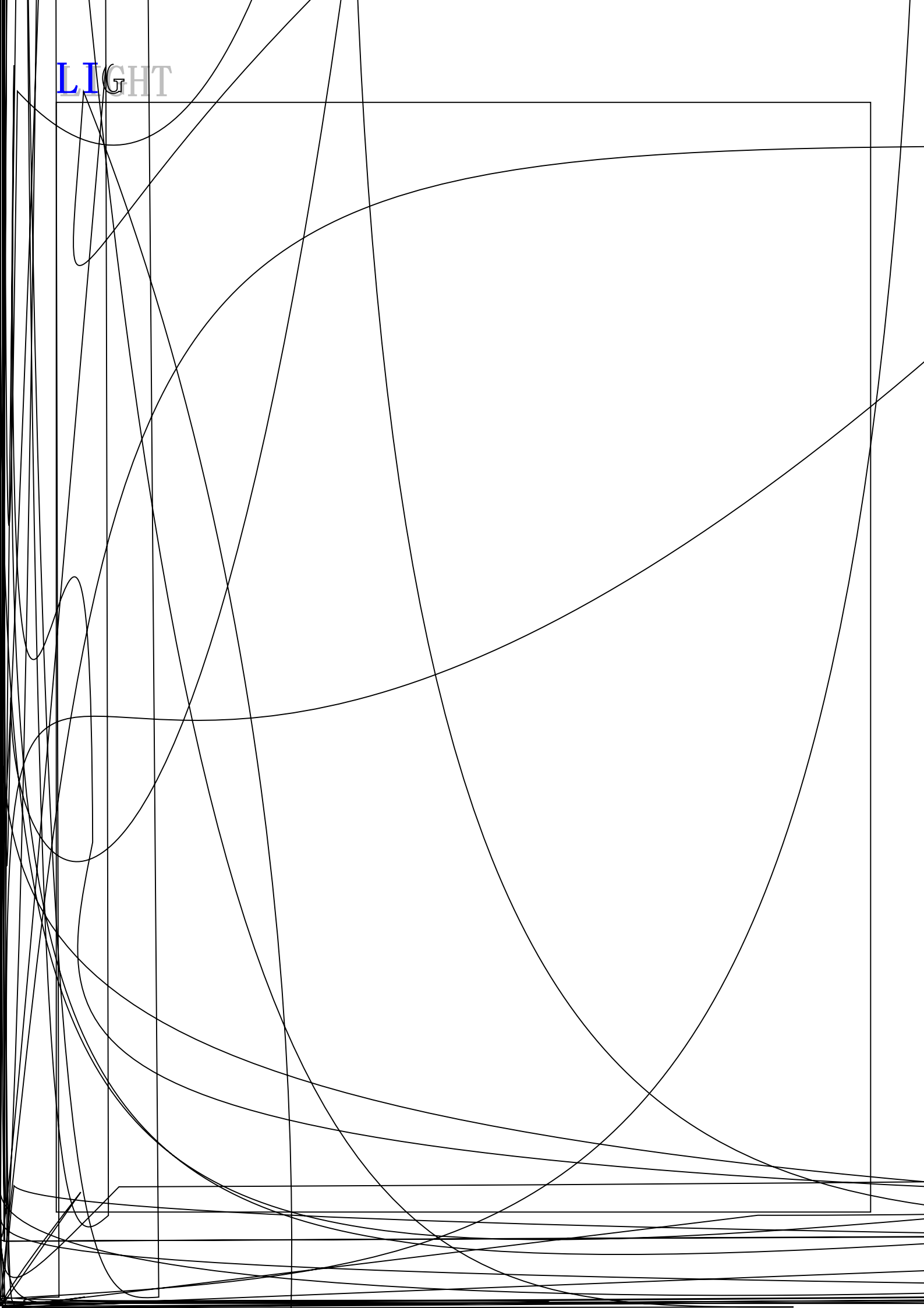
G

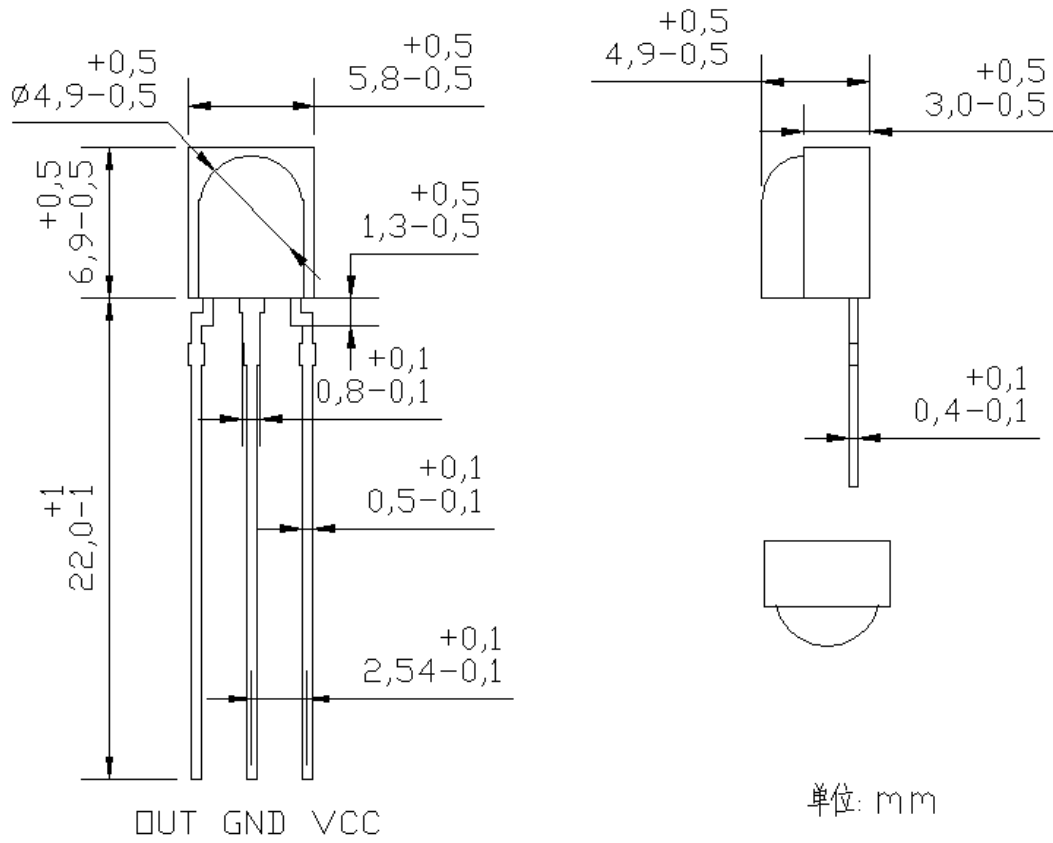


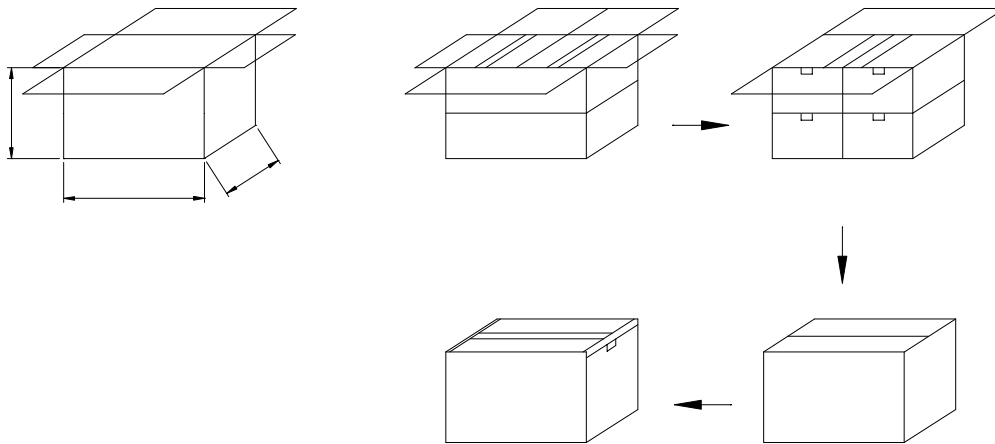
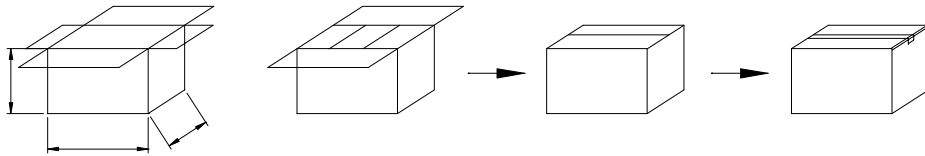
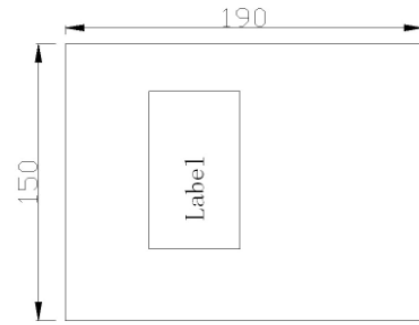
LIGHT



LIGHT







(pcs /)	(/)	(/)
500	10	4