

SL-T4234PTB120-L340

PHOTO TRANSISTOR

DATA SHEET

SPEC. NO. : SZ19081206
DATE : 2019/08/12
REV. : A/0

Approved By:

Checked By:

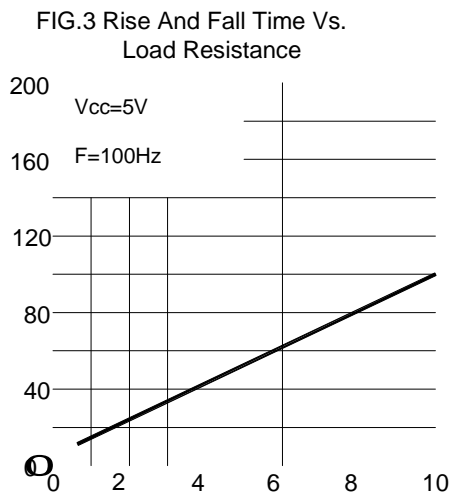
Prepared By:



Typical Electrical / Optical Characteristics Curves
(25 Ambient Temperature Unless Otherwise Noted)

FIG.2 Power Dissipation Vs. Ambient Temperature

Ambient Temperature-°C



Label Explanation

LIGHT Universal Label

LIGHT

Light Electronics CO., LTD.

MODEL NAME: _____

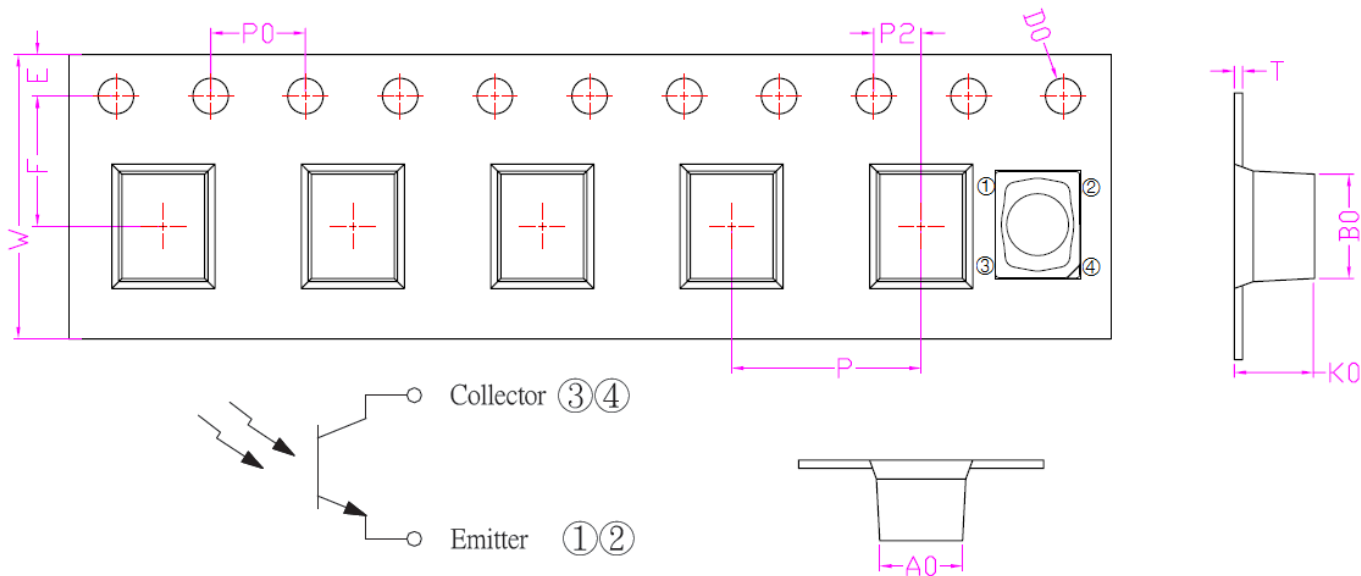
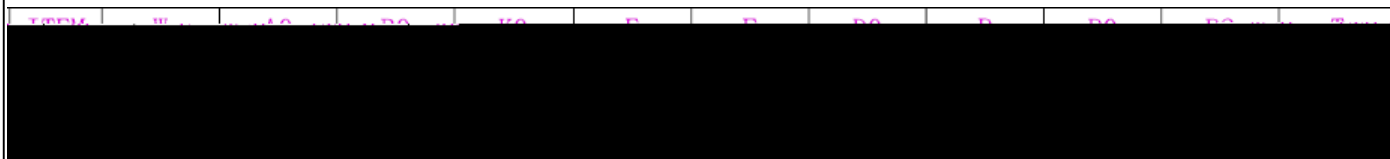
QUANTITY: _____

B.I.N: _____

PACKING DATE: _____

REMARKS: _____

Carrier Tape Specifications (Loaded Quantity: 2200pcs/reel)



Note: Tolerance unless mentioned is $\pm 0.1\text{mm}$; Unit = mm

Moisture Resistant Packaging

