

# **SL-T4233PDB020-L395-E**

## **PHOTO Diode**

### **DATA SHEET**

SPEC. NO. : SZ21110202  
DATE : 2021/11/02  
REV. : A/0

Approved By:

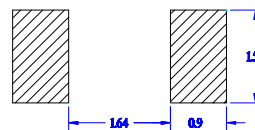
Checked By:

Prepared By:

## Features

- Pb free product—RoHS compliant
- High Photo Sensitivity
- Reliable and rugged
- Long life – solid state reliability
- Sensitivity angle: 85°

## Package Dimension



Part NO.	Chip Material	Lens Color
SL-T4233PDB020-L395-E	Silicon	Black

### Notes:

- All dimensions are in millimeters.
- Tolerance is  $\pm 0.10$ mm unless otherwise noted.
- Specifications are subject to change without notice.



## Electrical Optical Characteristics at Ta=25

PARAMETER	SYMBOL	MIN.	TYP.	MAX.	UNITS	TEST CONDITIONS
Reverse Light Current	$I_L$	21	26	---	$\mu\text{A}$	$V_R=5\text{V}$ $E_e=1\text{mW}/\text{cm}^2$ $p=940\text{nm}$
Reverse Dark Current	$I_D$	---	---	30	nA	$V_R=10\text{V}$ $E_e=0\text{mW}/\text{cm}^2$
Reverse Voltage	$V_{(R)}$	30	---	---	V	$I_R=100\mu\text{A}$
Forward Voltage	$V_F$	---	---	1.5	V	$I_F=20\text{mA}$
Viewing Angle(X)	$2_{1/2}$	75	85	95	Deg.	(Note 1)
Viewing Angle(Y)	$2_{1/2}$	25	35	45	Deg.	
Rise Time/ Fall Time	tr/tf	---	50	---	ns	$V_R=10\text{V}$ $RL=1\text{k}$
Total Capacitance	$C_T$	---	12	---	pF	$V_R=5\text{V}$ $E_e=0\text{mW}/\text{cm}^2$ $f=1.0\text{MHz}$

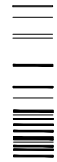


**Reverse Light Current Bin Code ( $V_R=5V$ ,  $E_e=1mW/cm^2$ ,  $p=940nm$ )**

<b>BIN CODE</b>	<b>Min.(<math>\mu A</math>)</b>	<b>Max.(<math>\mu A</math>)</b>
<b>31</b>	21	26
<b>32</b>	26	31
<b>33</b>	31	37

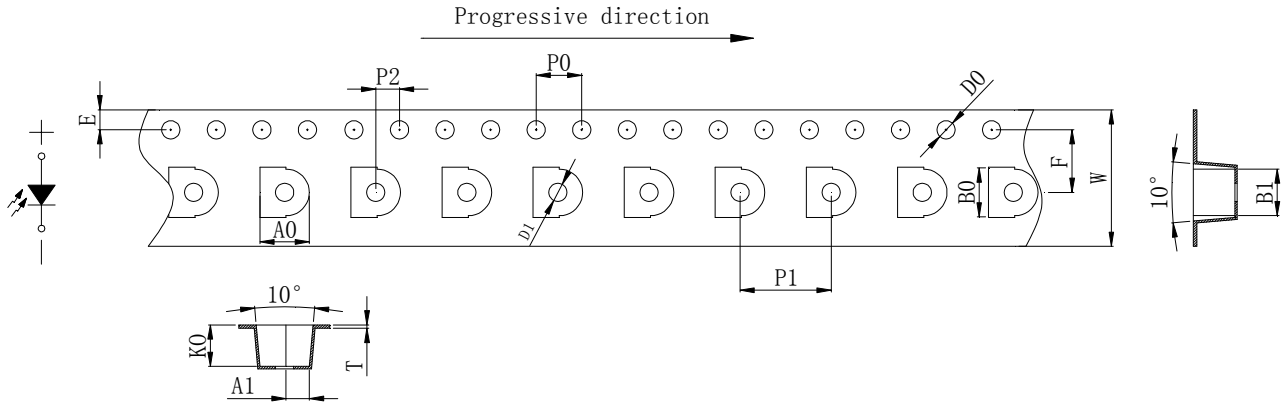
**NOTE:** The  $I_L$  guarantee should be added  $\pm 15\%$  tolerance.

## Label Explanation



## Carrier Tape Specifications (Loaded Quantity: 2300pcs/reel)

ITEM	W	A0	A1	B0	B1	K0	E	F	D0	D1	P0	P1	P2	T
DIM	12.00	4.35	2.05	4.40	4.10	3.65	1.75	5.50	1.50	1.60	4.00	8.00	2.00	0.30
TOLE	+0.10 -0.10	+0.10 -0.10	+0.10 -0.10	+0.10 -0.10	+0.10 -0.10	+0.10 -0.10	+0.10 -0.10	+0.10 -0.10	+0.10 -0.10	+0.10 -0.10	+0.10 -0.10	+0.10 -0.10	+0.10 -0.10	+0.05 -0.05



**Note:** Tolerance unless mentioned is  $\pm 0.1$ mm; Unit = mm

## Moisture Resistant Packaging





